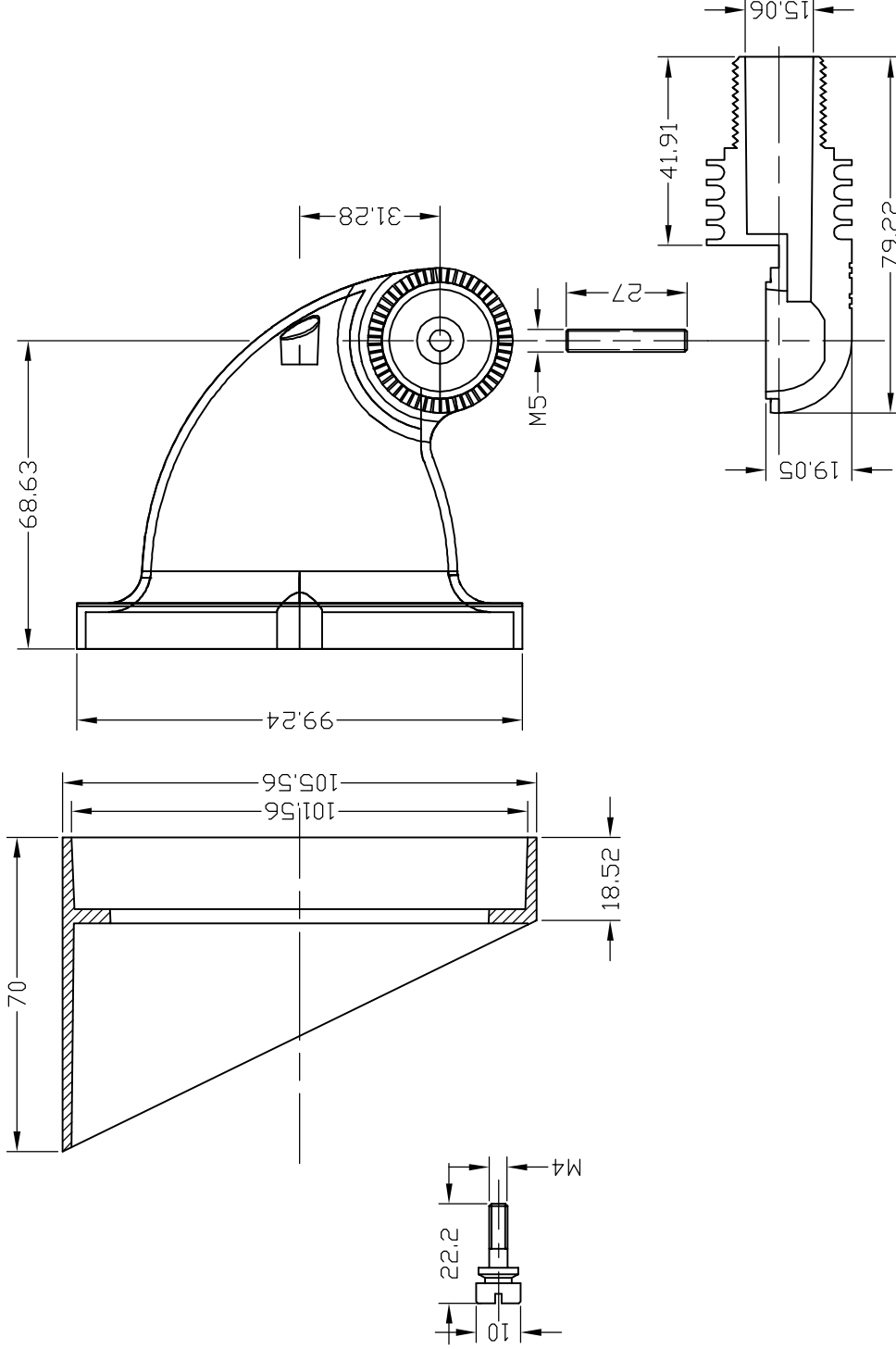


| | | |
|----------|-------------------|-----------|
| REVISION | MAD APPROVAL | SCHEDULE |
| 1 | PROVIDE SIGNATURE | PROVIDED |
| 2 | ANT. DATE | ACT. DATE |
| 3 | APPROVAL | FINAL |
| | | 1RST. |

LV-76L



BQL LIGHTING

| | | |
|---|---------------|-----------------------|
| MODEL | FRESNO LV-76L | SOLID CAST BRASS |
| FINISH: BRONZE, VERDE & STAINLESS STEEL | | LAMP: 20 WATTS G4 Max |
| | | 12V. DC 10f1 |