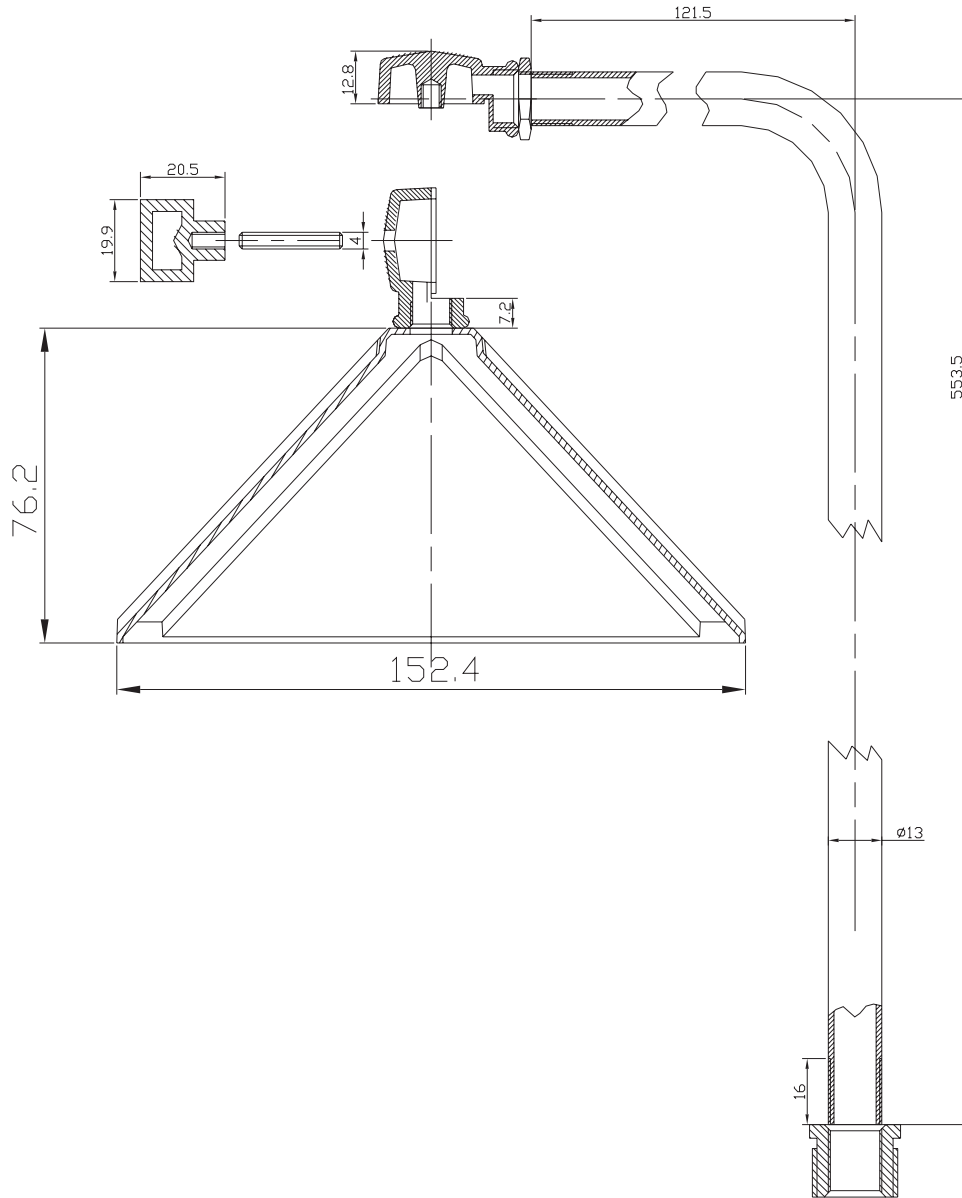


| REVISION NAD APROVAL SCHEDULE |         |           |          |       |
|-------------------------------|---------|-----------|----------|-------|
| ITEM                          | PROVIDE | SIGNATURE | PROVIDED | 1RST. |
| REVISION                      | ANT.    |           | ACT.     |       |
| APROVAL                       | DATE:   |           | FINAL:   |       |

LV-29SP



# BQL LIGHTING

|                                         |                |                  |
|-----------------------------------------|----------------|------------------|
| MODEL                                   | FRESNO LV-29SP | SOLID CAST BRASS |
| LAMP: 26 WATTS BA15 S-8 Max             |                |                  |
| FINISH: BRONZE, VERDE & STAINLESS STEEL | 12V. DC        | 1 of 1           |