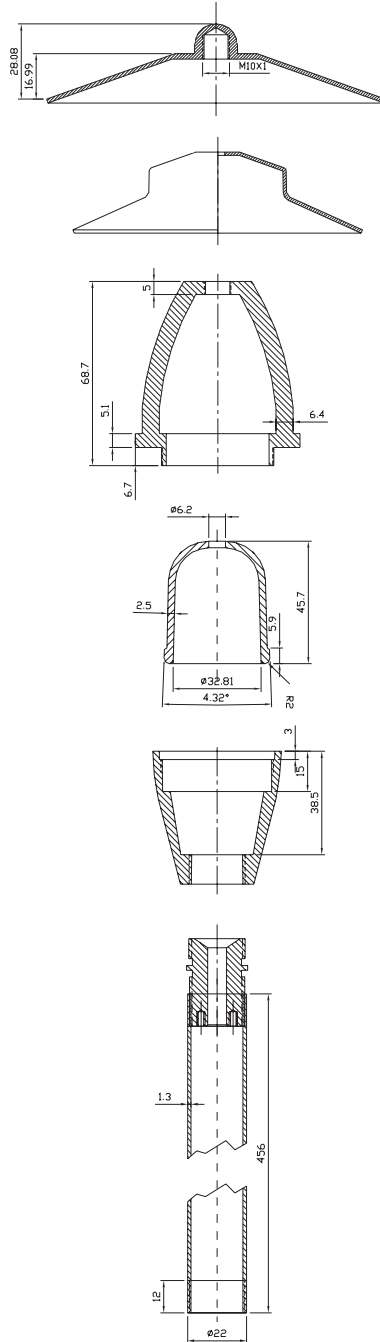


| | | | | |
|-------------------------------|---------|-----------|----------|-------|
| REVISION NAD APROVAL SCHEDULE | | | | |
| ITEM | PROVIDE | SIGNATURE | PROVIDED | 1RST. |
| REVISION | ANT. | | ACT. | |
| APROVAL | DATE: | | FINAL: | |

LV-27



BQL LIGHTING

| | | |
|---|--------------|------------------|
| MODEL | FRESNO LV-27 | SOLID CAST BRASS |
| LAMP: 20 WATTS G4 Max | | |
| FINISH: BRONZE, VERDE & STAINLESS STEEL | 12V. DC | 1 of 1 |