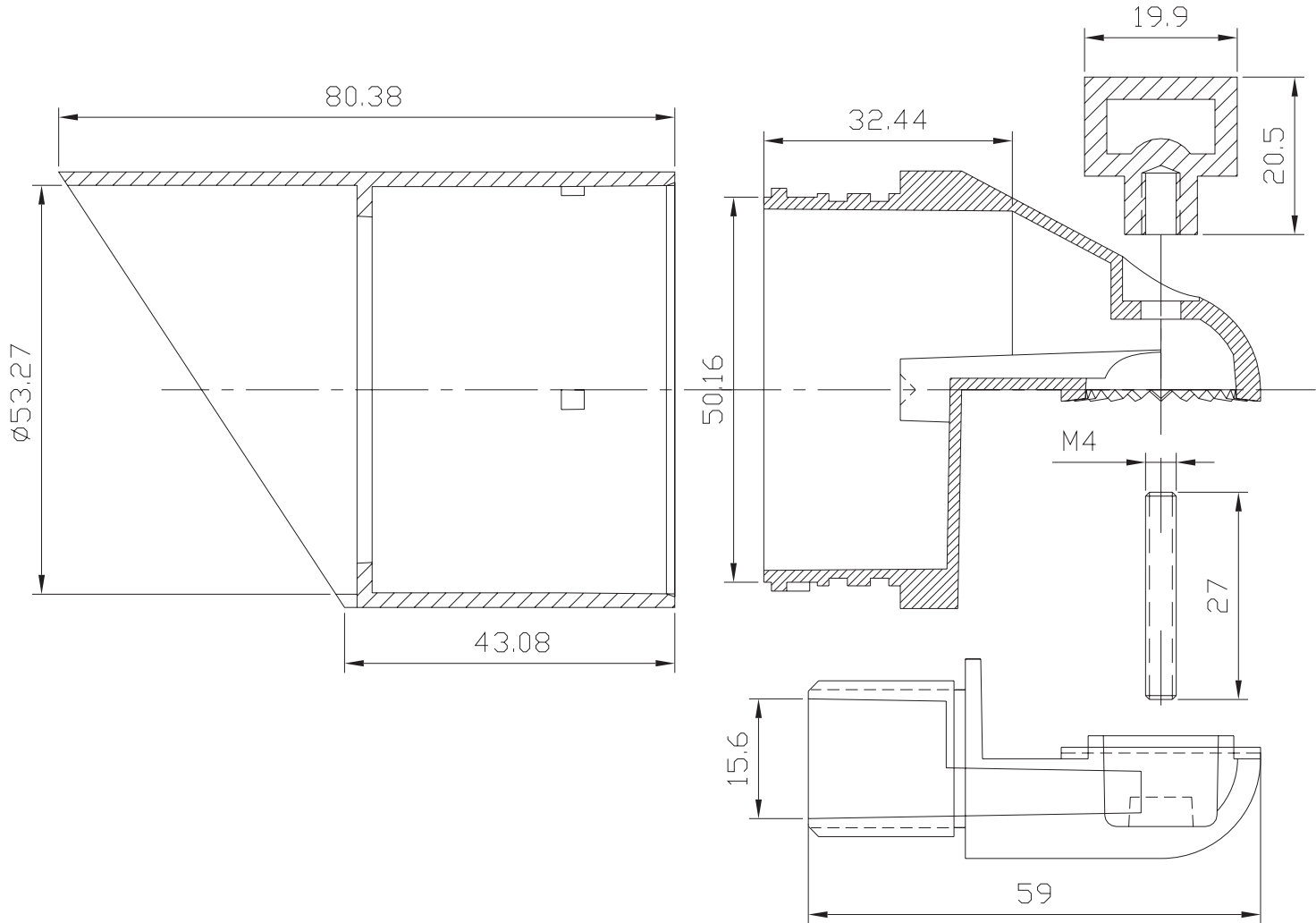


| REVISION NAD APROVAL SCHEDULE |         |           |          |       |
|-------------------------------|---------|-----------|----------|-------|
| ITEM                          | PROVIDE | SIGNATURE | PROVIDED | 1RST. |
| REVISION                      | ANT.    |           | ACT.     |       |
| APROVAL                       | DATE:   |           | FINAL:   |       |

LV-21



# BQL LIGHTING

|   |              |                   |
|---|--------------|-------------------|
| MODEL                                   | FRESNO LV-21 | SOLID CAST BRASS  |
| LAMP:                                   |              | 50 WATTS MR16 Max |
| FINISH: BRONZE, VERDE & STAINLESS STEEL |              | 12V. DC 1of1      |