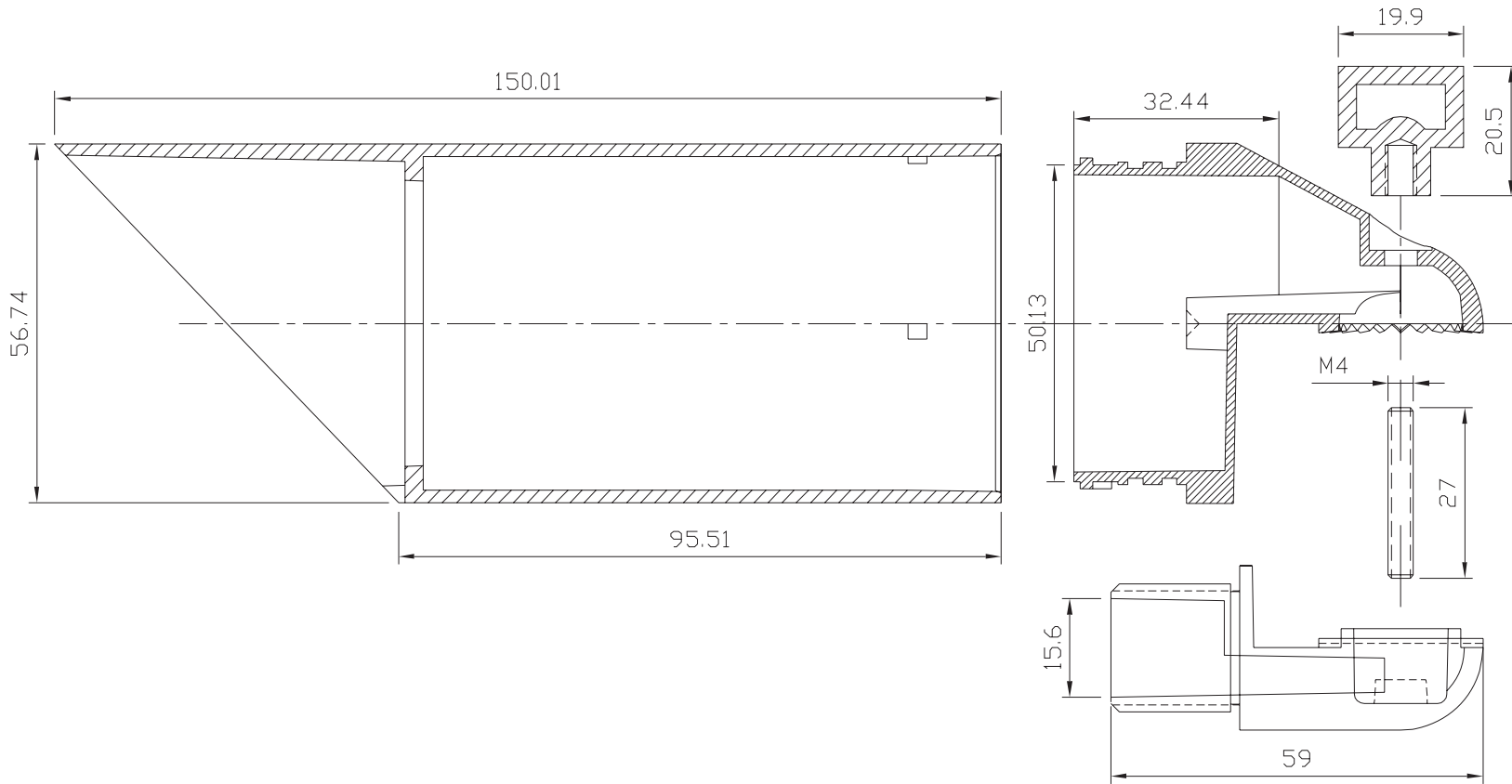


REVISION NAD APROVAL SCHEDULE				
ITEM	PROVIDE	SIGNATURE	PROVIDED	1RST.
REVISION	ANT.		ACT.	
APROVAL	DATE:		FINAL:	

LV-19



# BQL LIGHTING

MODEL	FRESNO LV-19	SOLID CAST BRASS		
LAMP:		50 WATTS MR16 Max		
FINISH: BRONZE, VERDE & STAINLESS STEEL		12V. DC	1 of 1	