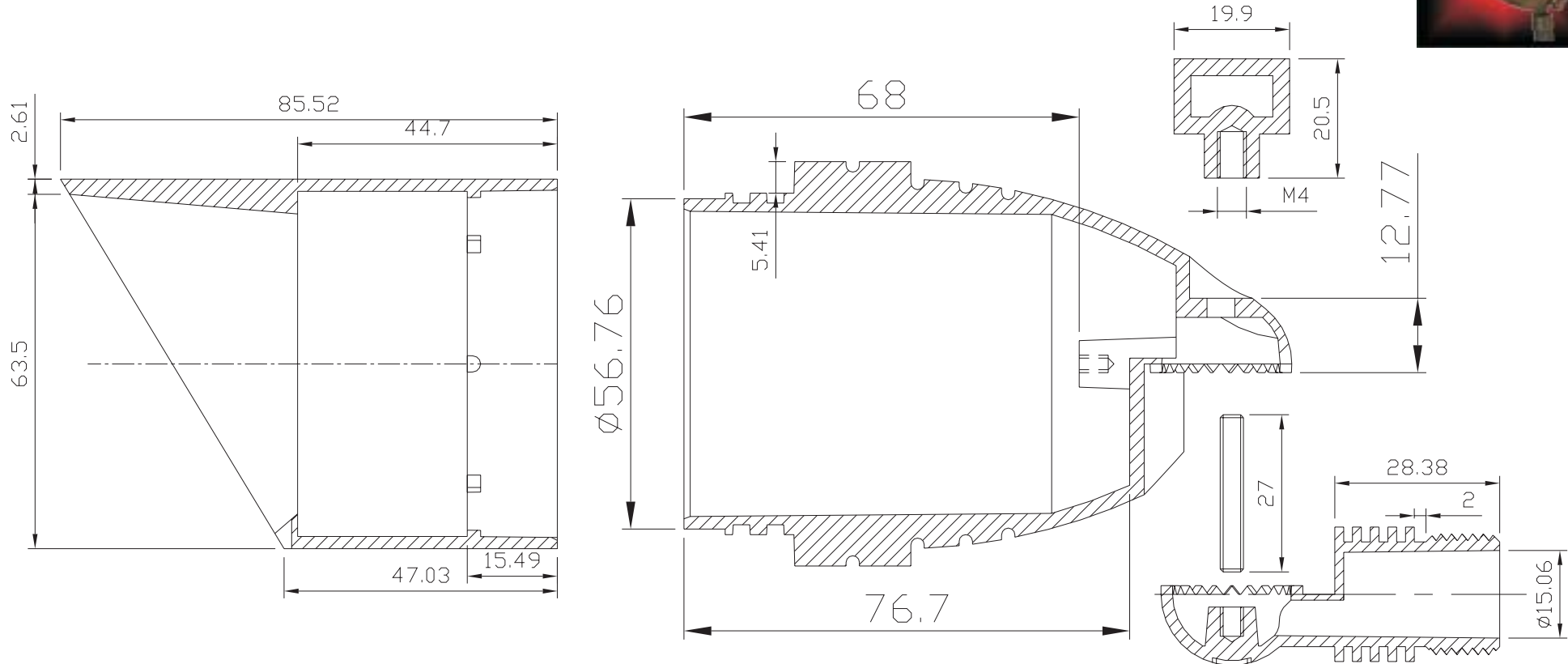


REVISION		NAD APROVAL	SCHEDULE	
ITEM	PROVIDE	SIGNATURE	PROVIDED	1RST.
REVISION	ANT.		ACT.	
APROVAL	DATE:		FINAL:	

LV-15



BQL LIGHTING

MODEL	FRESNO LV-15	SOLID CAST BRASS	
FINISH: BRONZE, VERDE & STAINLESS STEEL		LAMP: 50 WATTS MR16 Max	12V. DC 1 of 1