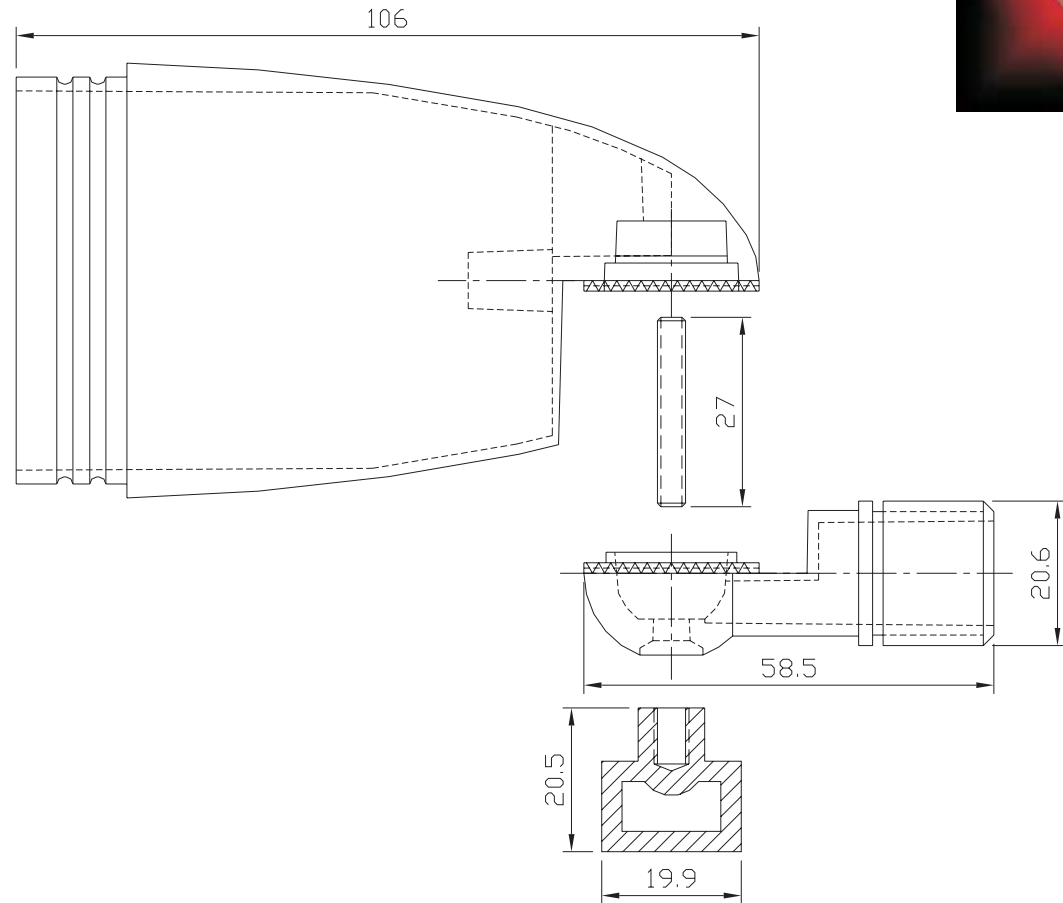
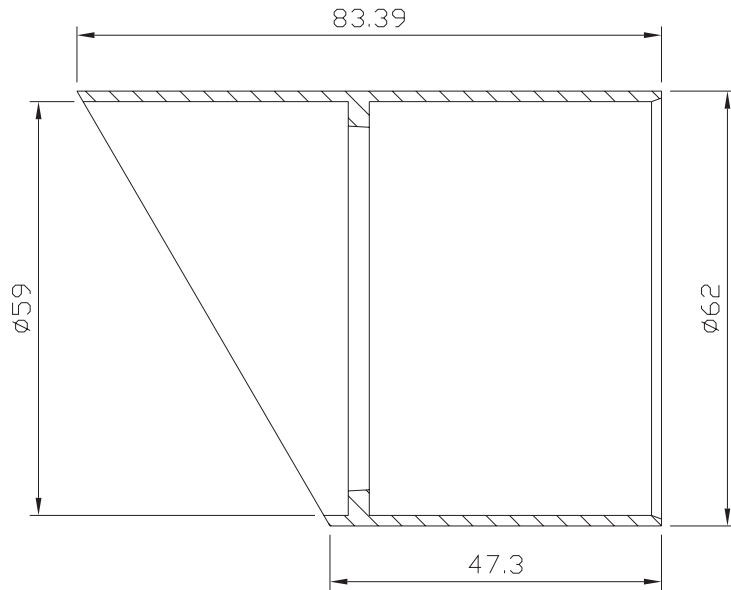


ITEM	REVISION	NAD APROVAL	SIGNATURE	SCHEDULE	1RST.
REVISION APROVAL	ANT. DATE:			ACT. FINAL:	

LV-11



BQL LIGHTING

MODEL	FRESNO LV-11	SOLID CAST BRASS	
LAMP:		50 WATTS MR16 Max	
FINISH: BRONZE, VERDE & STAINLESS STEEL		12V. DC	1 of 1