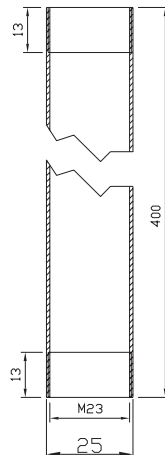
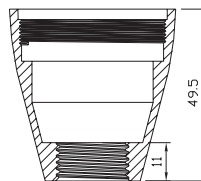
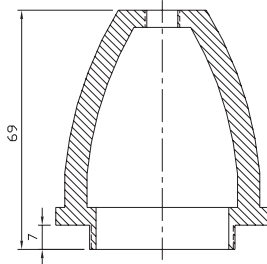
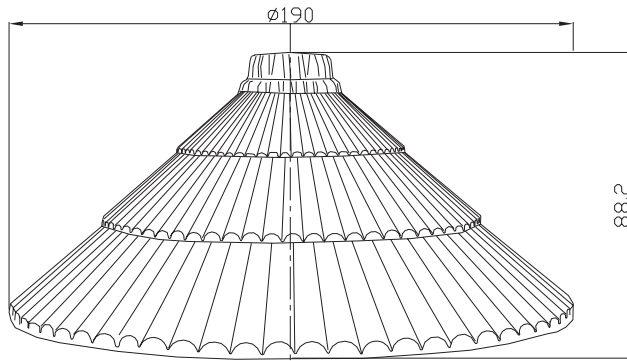


	REVISION	NAD APROVAL	SCHEDULE	
ITEM	PROVIDE	SIGNATURE	PROVIDED	1RST.
REVISION	ANT.		ACT.	
APROVAL	DATE:		FINAL:	

LV-10



# BQL LIGHTING

MODEL

FRESNO LV-10

SOLID CAST  
BRASS

LAMP: 20 WATTS G4 Max

FINISH: BRONZE, VERDE  
& STAINLESS STEEL

12V. DC 1 of 1